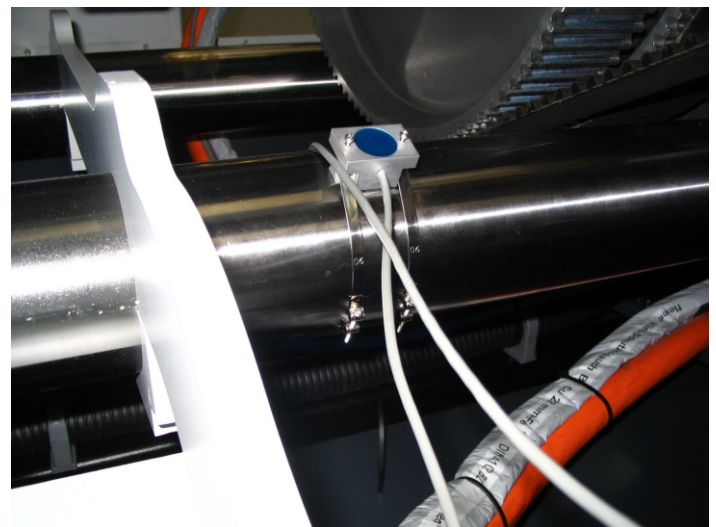


SML-SC/F

The extensometer set of the type SC/F measures the strain on tie bars or round pro-files. Thereby one module is placed exactly opposite the other and fixed by two small stainless steel bands. The extensometer set can be adapted very easy to different diameters by changing the appropriate length of the steel bands.

The applied press-on technology allows to mount and dismount this measuring system without destroying the used strain gauges by bonding or similar operations. Due to the simple way of mounting the extensometers, as well as to the high precision and industry confirm execution, these extensometer sets can be used for strain and force measurements. they are excellent for molding and die casting machine manufactures.



Features:

- Very easy installation.
- Used for traction, compression and torsion measurements.
- Accuracy better than 0.5%.
- To measure tie bar diameter rang 40..500mm
- Uniform gauge factor.
- Available with incorporated amplifier (0...10 V)
- Needs no further calibration.
- Ideal for online control of clamping force

Technical Specifications

Sensing element: strain gauges	350	ohm
Gauge Factor	2.0	
Transverse sensitivity	0.9 ^{+/-0.5}	%(standard)
Measuring range (F.S.)	+/-500	με
Output signal	0.5	mV/V (2x1/4bridge)
Accuracy	<0.5	%
Hysteresis	<0.2	%
Repeatability	<1%	% at F.S.
Recommended bridge supply voltage	5(max. 10)	VDC
Sensor Housing	Aluminum	anodized
Steel Band	Stainless steel	10mm (w) x 0.4mm (t)
Press-on torque (M4 screws)	2	Nm
Operating temperatures range	0...+75	°C

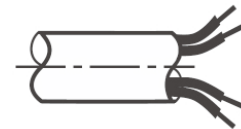
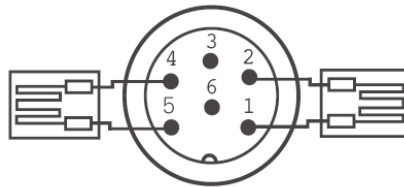
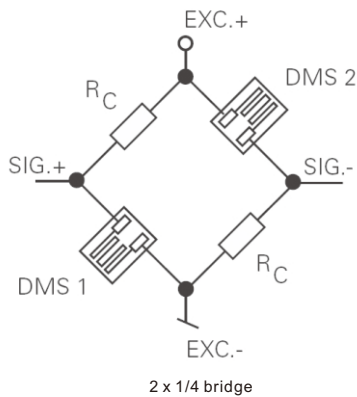
Sensormate Technology Inc.

<http://www.sensormate.com> E-mail: sales@sensormate.com
 Tel: + 886 2 2999 5245 Fax: + 886 2 2995 0782

Hints

Zero point: +/-250% of F.S. The zero point depend on the mounting of the sensors, because of pressing the strain gauges, the measuring bridge has usually a large offset. Amplifiers and displaying instruments have standard analog or digital reset circuit for resetting the signal. The sensor output signal should be reset preferably before the beginning of each measuring cycle.

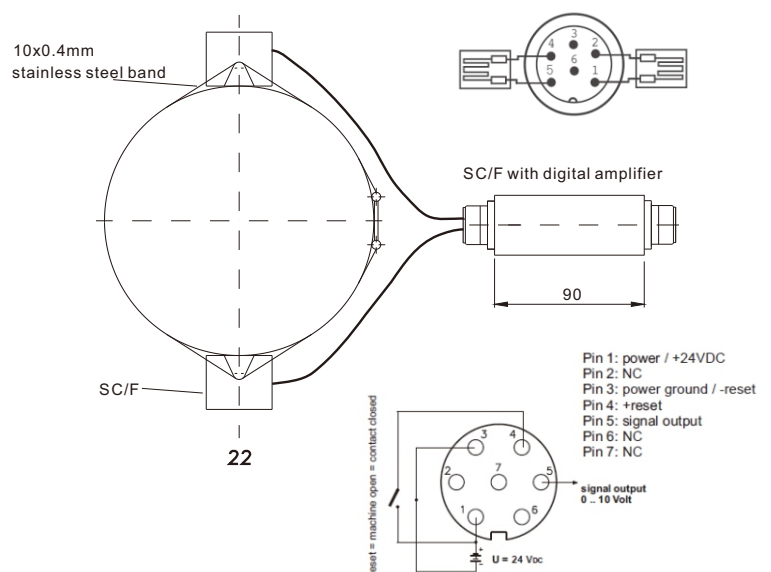
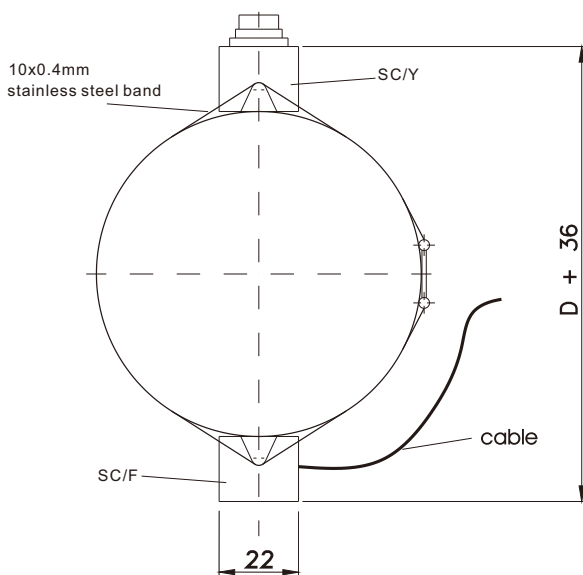
Dimensions



Accessorie

Stainless steel bands, type STB-xxx
(xxx = tie bar diameter)

40...500 mm



Sensormate Technology Inc.

<http://www.sensormate.com> E-mail: sales@sensormate.com
Tel: + 886 2 2999 5245 Fax: + 886 2 2995 0782